



*Rathi Cone-Flex couplings consist of the sets of resilient "Cone-Flex" rings with pins & nuts, and two flanged hubs of graded cast iron. These "Cone-Flex" rings are specially shaped to permit the rubber to deflect in all directions and give over four times torsional flexibility as compared to a plain bush.*



## ***FEATURES :***

### **UNMATCHED SIMPLICITY :**

Easy to assemble & disassemble. With pins removed, the equipment can run independently for no load. Flanged hub can be withdrawn upwards without disturbing original alignment.

### **NO LUBRICATION :**

"Cone-Flex" couplings do not require lubrication of any kind whatsoever.

### **SIZE AND COST :**

High torque capacity for compact size and low weight.

### **SIMPLE / EASY MAINTENANCE :**

No complicated mechanism to demand adjustment or maintenance. Inspection and replacement of "Cone-Flex" rings are easy and can be quickly fitted without dismantling or moving either of coupled shafts.

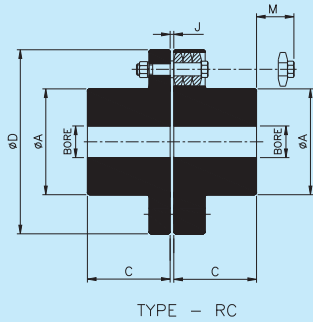
### **LOW OPERATIONAL COST :**

Only wear part is low cost "Cone-Flex" rings make the coupling economical in long run.

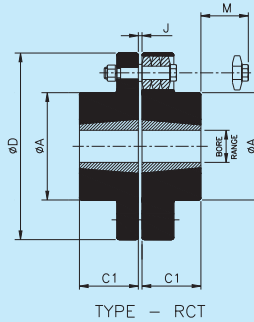
### **SMOOTH & QUIET OPERATION :**

Reduces vibrations and noise arising from severe torque fluctuations.

"Cone-Flex" couplings are suitable in ambient temperature upto 70° C.



TYPE - RC



TYPE - RCT

### TECHNICAL DATA

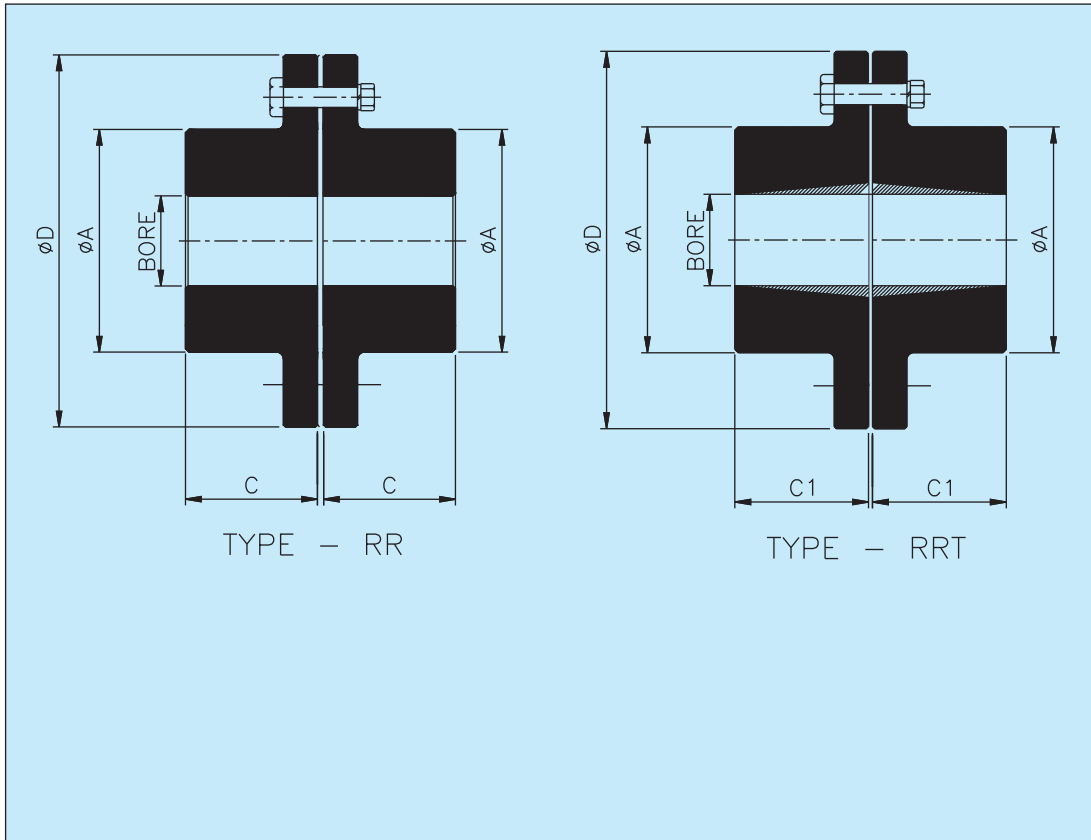
Coupling Type	Size	"kW at 100 RPM"	Torque Nm	Max. Speed RPM	RC		RCT		Bush Size	Dimensions						Wt. in Kg. (Min. Bore)		M.I. (WR <sup>2</sup> ) Kg.m <sup>2</sup> (Min. Bore)		
					Min. Bore	Max. Bore	Min. Bore	Max. Bore #		ØD	ØA	C	C1	RC M	RCT M	J	RC	RCT	RC	RCT
RC	020	0.56	50	6500	12	20	-	-	-	89	35	33	-	30	-	3	1.8	-	0.0020	-
	030	1.2	110	5470	12	30	-	-	-	127	51	41	-	28	-	3	3.5	-	0.0070	-
	038	2	190	5260	15	38	-	-	-	132	64	48	-	22	-	3	4.9	-	0.009	-
RC/RCT	042	3	290	4750	15	42	12	32	1215	146	70	56	38	14	32	3	6.3	5.42	0.013	0.012
	048	5	480	4050	21	48	16	42	1615	171	82	61	38	28	52	3	10.4	8.88	0.034	0.031
	058	8	760	3600	21	58	14	50	2017	193	97	68	45	24	52	3	14.2	13	0.055	0.053
	070	11	1000	3220	21	70	19	60	2525	216	117	76	63.5	23	28	3	19.8	17.78	0.092	0.086
	075	27	2600	2730	28	75	16	60	2525	254	127	88	64	50	28	3	36.9	35.2	0.269	0.27
	085	37	3500	2480	28	85	35	75	3030	279	147	100	76	38	60	3	48.5	43.6	0.408	0.380
	105	56	5300	2100	34	105	35	90	3535	330	180	117	89	25	54	3	76.4	71.4	0.832	0.76
	120	94	9000	1880	61	120	40	100	4040	370	206	132	102	48	78	6	121	107	1.811	1.7
	135	128	12000	1660	67	135	55	110	4545	419	230	147	114.3	35	68	6	163	142.8	2.998	2.84
150	167	16000	1520	82	150	70	125	5050	457	256	165	127	16	55	6	209	179.1	4.397	4.02	
RC	170	258	25000	1300	96	170	-	-	-	533	292	188	-	48	-	6	305	-	9.998	-
	190	360	34000	1170	122	190	-	-	-	597	330	211	-	28	-	6	397	-	15.90	-
	215	467	45000	1050	135	215	-	-	-	660	368	237	-	10	-	6	508	-	24.950	-
	240	788	75000	800	152	240	-	-	-	737	407	264	-	43	-	6	736	-	45.40	-
	265	1044	100000	700	165	265	-	-	-	826	457	292	-	15	-	6	976	-	76.850	-

- Notes :
- Maintain gap B at the time of assembly
  - B = 3 mm for size 020 to 105  
= 6 mm for size 120 to 265
  - # For detail information about Taper Bush bore, please refer Taper Bush catalogue.
  - For vertical installation contact RATHI.

- BH = BUSH HALF (DRIVEN)
- PH = PIN HALF (DRIVE)

### SPARE PARTS

Type RC			Type RCT				Pins and Nuts			Cone Rings	
Size	Pin Half Part No.	Bush Half Part No.	Size	Bush Size	Pin Half Part No.	Bush Half Part No.	Pin Part No.	Nut Size	No/per Coupling	Part No.	No/per Coupling
RC-020	RC-020/1	RC-020/2	—	—	—	—	GC 3/4" /3/5	M 8	6	GC 3/4" /4	18
RC-030	RC-030/1	RC-030/2	—	—	—	—	GC 1" /3/5	M 10	4	GC 1" /4	12
RC-038	RC-038/1	RC-038/2	—	—	—	6			18		
RC-042	RC-042/1	RC-042/2	RCT-042	1215	RCT-042/1	RCT-042/2			8		24
RC-048	RC-048/1	RC-048/2	RCT-048	1615	RCT-048/1	RCT-048/2	GC 1 3/4" /3/5	M 12	6	GC 1 3/4" /4	18
RC-058	RC-058/1	RC-058/2	RCT-058	2017	RCT-058/1	RCT-058/2			8		24
RC-070	RC-070/1	RC-070/2	RCT-070	2525	RCT-070/1	RCT-070/2			10		30
RC-075	RC-075/1	RC-075/2	—	—	—	—	GC 2 3/4" /3/5	M 20	8	GC 2 3/4" /4	32
RC-085	RC-085/1	RC-085/2	RCT-085	3030	RCT-085/1	RCT-085/2			10		40
RC-105	RC-105/1	RC-105/2	RCT-105	3535	RCT-105/1	RCT-105/2			12		48
RC-120	RC-120/1	RC-120/2	RCT-120	4040	RCT-120/1	RCT-120/2	GC 4 1/4" /3/5	M 24	10	GC 4 1/4" /4	40
RC-135	RC-135/1	RC-135/2	RCT-135	4545	RCT-135/1	RCT-135/2			12		48
RC-150	RC-150/1	RC-150/2	RCT-150	5050	RCT-150/1	RCT-150/2			14		56
RC-170	RC-170/1	RC-170/2	—	—	—	—	GC 6 1/4" /3/5	M 36	10	GC 6 1/4" /4	40
RC-190	RC-190/1	RC-190/2	—	—	—	—			12		48
RC-215	RC-215/1	RC-215/2	—	—	—	—			14		56
RC-240	RC-240/1	RC-240/2	—	—	—	—	GC 9" /3/5	M 48	12	GC 9" /4	48
RC-265	RC-265/1	RC-265/2	—	—	—	—			14		56



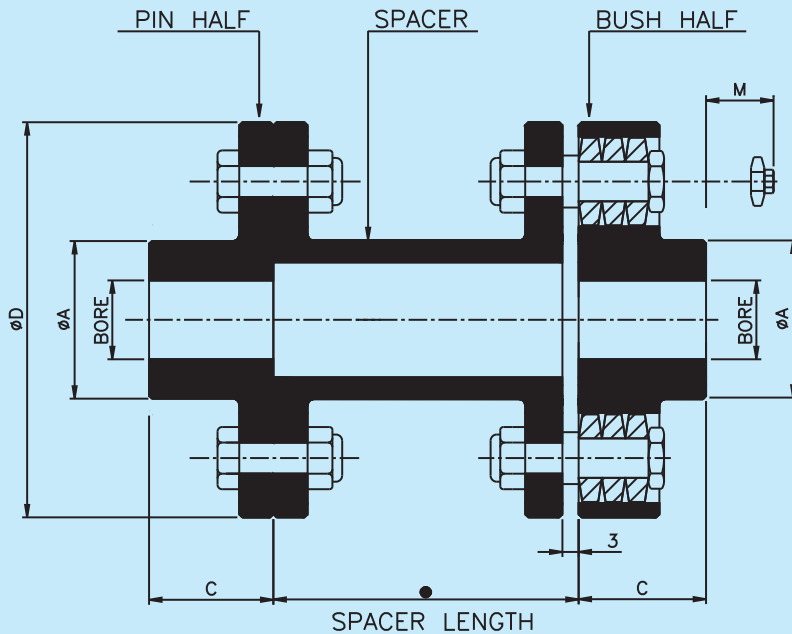
Rathi Rigid Couplings are robust, simple & ideal for exactly aligned shafts. They are torsionally stiff & backlashfree. Type RR permits larger finish bores in both halves.

### TECHNICAL DATA

Coupling Type	Size	"kW at 100 RPM"	Torque Nm	Max. Speed RPM	RR		RRT			øD	øA	C	C1	Wt. in Kg. (Min. Bore)		M.I. (WR <sup>2</sup> ) Kg. m <sup>2</sup> (Min. Bore)	
					Min. Bore	Max. Bore	Bush Size	Min. Bore	Max. Bore #					RR	RRT	RR	RRT
RR	020	1.06	101	6500	12	20	-	-	-	89	35	33	-	1.6	-	0.002	-
RR/ RRT	030	2.3	220	5470	12	30	1008	10	25	127	51	41	23	3.2	2.8	0.004	0.004
	038	4.8	458	5260	15	38	1108	10	28	132	64	48	23	4.1	3.6	0.006	0.006
	042	6.4	611	4750	15	42	1215	12	32	146	70	56	38.1	5.6	5	0.008	0.0080
	048	9.63	920	4050	21	48	1615	16	42	171	82	61	38	9.3	8.3	0.024	0.023
	058	16.9	1614	3600	21	58	2017	14	50	193	97	68	47	12	10.7	0.04	0.038
	070	29.9	2855	3220	21	70	2525	16	60	216	117	76	63.5	18	16	0.07	0.067
	075	36.5	3485	2730	28	75	2525	16	60	254	127	88	68	32	30	0.18	0.177
	085	53.4	5099	2480	28	85	3030	24	75	279	147	100	76	44	39.3	0.28	0.260
	105	100	9549	2100	34	105	3535	35	90	330	180	117	89	69	61	0.59	0.56
	120	149	14228	1880	61	120	4040	40	100	370	206	132	102	109	97	1.42	1.36
	135	213	20340	1660	67	135	4545	55	115	419	230	147	114.3	145	129	2.35	2.25
RR	150	292	27884	1520	82	150	5050	70	127	457	256	165	127	186	166	3.48	3.33
	170	470	44882	1300	96	170	-	-	-	533	292	188	-	350	-	9.52	-
	190	575	54908	1170	122	190	-	-	-	597	330	211	-	475	-	14.2	-
	215	750	71620	1050	135	215	-	-	-	660	368	237	-	640	-	22.8	-

# For detail information about Taper Bush bore, please refer Taper Bush catalogue.

● For vertical installation contact RATHI.



- Std. DBSE – 100, 140, 180 mm.
- Non-Standard DBSE Spacer length available on request.

Spacer Type "Cone-Flex" coupling is suitable where distance between shaft ends (DBSE) is large. The spacer member is radially removable without disturbing shaft alignment. Flexible element can be installed without disturbing the hub.

### TECHNICAL DATA

Coupling Size	Torque Nm	kW at 100 rpm	Max. Speed rpm	Bore		Dimensions			
				Min.	Max.	$\phi A$	C	$\phi D$	M
RCS – 020	50	0.56	6500	12	20	35	33	89	30
RCS – 030	110	1.2	5470	12	30	51	41	127	28
RCS – 038	190	2	5260	15	38	64	48	132	22
RCS – 042	290	3	4750	15	42	70	56	146	14
RCS – 048	480	5	4050	21	48	82	61	171	28
RCS – 058	760	8	3600	21	58	97	68	193	24
RCS – 070	1000	11	3220	21	70	117	76	216	23

- All dimensions are in mm unless otherwise specified.
- For vertical installation contact RATHI.

In view of our constant endeavour to improve quality of our products, we reserve the right to alter or change specifications without prior notice. This document is the intellectual property of Rathi Transpower Pvt. Ltd. and subject to copyright.

	<p><b>Rathi Transpower Pvt Ltd</b>                  Rathi Chambers, 7, Deccan College Road,                  Pune 411 006.(INDIA)                  Phone : 91-20-30517201                  Fax : 91-20-30517212                  E-mail : enquiry@rathigroup.com                  Website : www.rathicouplings.com</p>	Distributor
--	--	-------------