

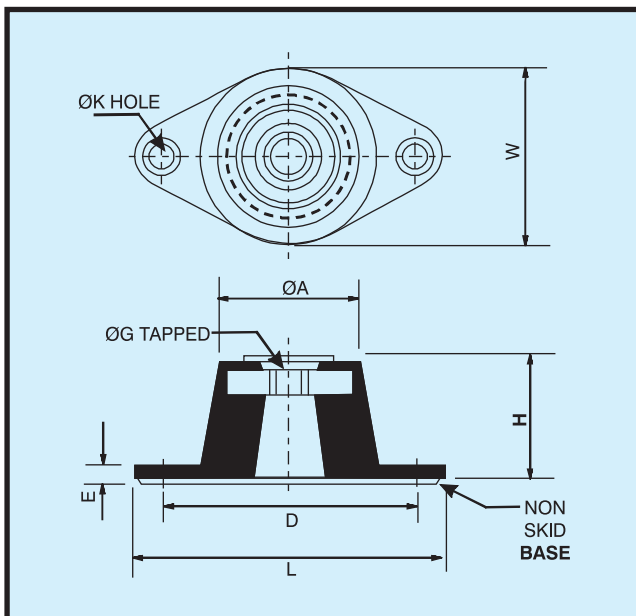


### APPLICATION

- For effective isolation of noise and vibration from rotating equipment with speeds of 1000 RPM and above.
- Typically used to isolate fans, pumps, generators, air-conditioning units and general machinery.

### FEATURES

- Static deflection ranges from 5 to 12 mm.
- Colour coded load range.
- Threaded top.
- Non-skid ribbed base.



TYPE	DIMENSIONS (mm)							
	H	L	W	D	ØA	ØG	ØK	E
P-1	28	80	45	60	32	M10	8.5	5
P-2	32	98	60	76	45	M10	8.5	6
P-3	44	140	85	104	64	M12	14	6
P-4	45	165	110	127	100	M16	14	6
PD-1	35	80	45	60	32	M10	8.5	5
PD-2	44	98	60	76	45	M10	8.5	6
PD-3	72	140	85	104	64	M12	14	6
PD-4	75	165	110	127	100	M16	14	6

PART NO.	COLOUR CODE	MAX LOAD (kg)	STATIC DEFL. (mm)
P-1A	BLUE	15	5
P-1B	WHITE	25	
P-1C	GREEN	40	
P-1D	YELLOW	60	
P-1E	RED	80	
PD-1A	BLUE	15	8
PD-1B	WHITE	25	
PD-1C	GREEN	40	
PD-1D	YELLOW	60	
PD-1E	RED	80	
P-2A	BLUE	70	6
P-2B	WHITE	100	
P-2C	GREEN	175	
P-2D	YELLOW	250	
PD-2A	BLUE	70	10
PD-2B	WHITE	100	
PD-2C	GREEN	175	
PD-2D	YELLOW	250	
P-3B	WHITE	145	6
P-3C	GREEN	240	
P-3D	YELLOW	340	
P-3E	RED	500	
PD-3B	WHITE	145	12
PD-3C	GREEN	240	
PD-3D	YELLOW	340	
PD-3E	RED	500	
P-4B	WHITE	680	6
P-4C	GREEN	1020	
P-4D	YELLOW	1360	
P-4E	RED	1800	
PD-4B	WHITE	680	12
PD-4C	GREEN	1020	
PD-4D	YELLOW	1360	
PD-4E	RED	1800	