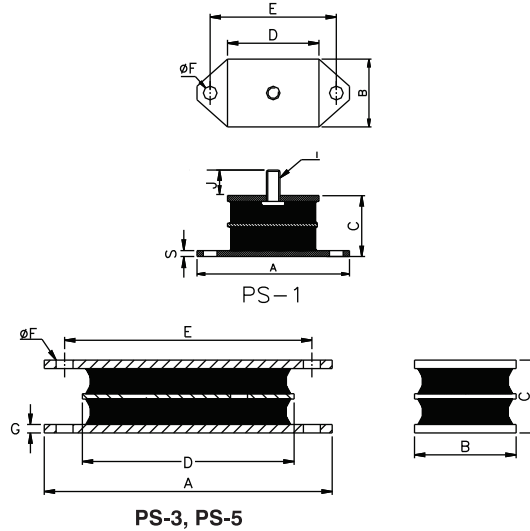


# SANDWICH MOUNT



Moulding Innovation into Global Bonds



PART NO	DIMENSIONS (mm)										LOAD (Kg)	DEFLECTION (mm)
	A	B	C	D	E	ØF	S	I	J			
PS - 1A	90	40	36	54	74.5	6.75	3.5	M8	15	95	2.8	
PS - 1B	90	40	36	54	74.5	6.75	3.5	M8	15	135	2.8	
PS - 1C	90	40	36	54	74.5	6.75	3.5	M8	15	200	2.8	
PS - 1D	90	40	36	54	74.5	6.75	3.5	M8	15	310	2.8	
PS - 1E	90	40	36	54	74.5	6.75	3.5	M8	15	350	2.4	

PART NO	DIMENSIONS (mm)								LOAD (Kg)	DEFLECTION (mm)
	A	B	C	D	E	ØF	G			
PS - 3A	110	60	43	65	89	10.3	5	140	3.0	
PS - 3B	110	60	43	65	89	10.3	5	240	3.0	
PS - 3C	110	60	43	65	89	10.3	5	375	3.0	
PS - 5A	170	60	43	125	146	10.3	5	400	3.0	
PS - 5B	170	60	43	125	146	10.3	5	610	3.0	
PS - 5C	170	60	43	125	146	10.3	5	850	2.8	
PS - 5D	170	60	43	125	146	10.3	5	1000	2.2	
PS - 5E	170	60	43	125	146	10.3	5	1900	2.0	

SANDWICH mount are designed to support heavy or sensitive equipment and isolate intermittent or continuous vibrations. These mounts can be loaded by compression, by shear or by combination of the two. The easy-to install SANDWICH mount result in longer service life, smoother operation and reduced maintenance.

