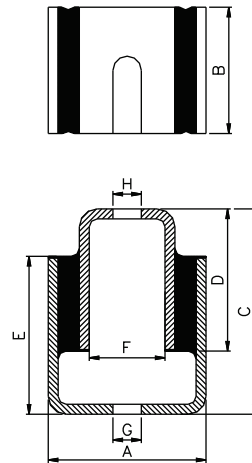
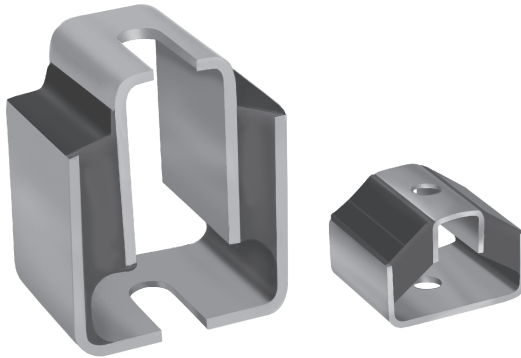


DOUBLE U SHEAR MOUNTS



Moulding Innovation into Global Bonds



PART NO	DIMENSIONS (mm)								LOAD (Kg)	DEFLECTION (mm)
	A	B	C	D	E	F	G	H		
PU - 1A	60	50	42	19	30	17	Ø 10 Holes	Ø 10 Holes	19	3
PU - 1B	60	50	42	19	30	17	Ø 10 Holes	Ø 10 Holes	28	3
PU - 1C	60	50	42	19	30	17	Ø 10 Holes	Ø 10 Holes	52	3
PU - 2A	70	25	62	37	43	25	10 Slot	10 Slot	17	8
PU - 2B	70	25	62	37	43	25	10 Slot	10 Slot	25	7
PU - 2C	70	25	62	37	43	25	10 Slot	10 Slot	28	4.5
PU - 3A	80	50	78	50	55	30	13 Slot	13 Slot	72	8
PU - 3B	80	50	78	50	55	30	13 Slot	13 Slot	92	7
PU - 3C	80	50	78	50	55	30	13 Slot	13 Slot	95	4.5
PU - 4A	86	64	108	76	82	38	16 Slot	16 Slot	152	8
PU - 4B	86	64	108	76	82	38	16 Slot	16 Slot	170	6
PU - 4C	86	64	108	76	82	38	16 Slot	16 Slot	205	4

Double 'U' shear mounts feature a soft, vertical spring rate. These mounts are capable of dampening shock and vibrations in the vertical as well as lateral direction. The design incorporates built-in protection against metal-to-metal bottoming.

